



IIB or IIC standard control stations with 1, 2 and 3 functions flameproof



0938 90



0938 91

Stations with 1 and 2 functions

- Grey painted marine grade aluminium alloy box
- Threaded flameproof joint
- Connection : 2 x 2.5 mm² max. Internal earth : 4 mm²
- External earth : M5 screw for 10 and 16 A - M6 for 32 A
- 1 x M20 or M25 threaded entry (cable gland not supplied)
excepted cat. numb 0938 88/89 : 2 entries 1 top / 1 botom

1 function

- 2 contacts supplied (1 NC and 1 NO)

	Weight (Kg)	Volume (dm ³)	Cat. No. M20	Cat. No. M25	Pack
Spring return push-button Black cap	0.9	2.1	0938 81	0938 80	1
Latching mushroom head (Ø 40 mm) "push-pull" push-button can be padlocked in both positions	1.1	3.8	0938 87	0938 85	1
Time-delayed black push-button: adjustable from 1 to 15 min, 500 W incandescent and halogen 230 V; 1000 W resistive; 400 VA fluorescent and 300 VA halogen ELV; neutral must be present (Legrand mechanism 91604) 2 entries M25	1.1	3.8	0938 88	0938 89	1

2 functions

	Weight	Volume	Cat. No. M25	Pack
1 green spring-return push-button "I" (NO contact) + 1 red spring-return push-button "O" (NC contact)	1.0	2.1	0938 90	1

Stations with 3 functions

- Grey painted marine grade aluminium alloy box
- Supplied with Gravoply 63 x 18 mm identification label (yellow with black engraving) with fixing nails
- Flanged flameproof joint
- 1 red LED indicator 80 to 264 V AC
- 1 green spring-return push-button "I" (NO contact)
+ 1 red spring-return push-button "O" (NC contact)
- Connection: 2 x 2.5 mm² max
- Internal earth: 2 x 4 mm². External earth: M6 screw
- 2 x M20 threaded entries at the bottom

3 functions

	Weight	Volume	Cat. No.	Pack
1 green spring return push-button "I" (NO contact) + 1 red spring return push-button NC (NC contact) + 1 red indicator-mounted	3.2	7	0938 91	1

Accessoires

	Weight	Volume	Cat. No.	Pack
M25 cable gland For control stations Cat. Nos. 0938 80/85/89/90 sealed Ø : 9 mm min - 15 mm max. grip Ø : 22 mm max Cone shaped separator for flexible cable (0954 60)	2.70	0.8	0934 96	5

For special options, please consult us:

- Stations with ammeter

Part number in bold : fast moving references

Zones 1 & 2 - 21 & 22	ATEX	IEC	EC	II 2 G/D
EEx d IIB or IIC	T6 or T5	T = 80° or 85°C	IP66	IK10

TECHNICAL DATA

Zones :

- 1 and 2 and 21 - 22

Classification:

- According to CENELEC :
 - Conforming to ATEX Directive 94/9 EC and standards EN 50014-18
 - EC 0081 II 2 G for gas
 - EC 0081 II 2 D for dust
- According to IEC :
 - Conforming to standards IEC 60079-0/1

Cat. Nos.	CENELEC		IEC	
	Gas	Dust	Gas	Dust
0938 80/81	EEx d IIC T(*)	T = + 80°C	Ex d IIC T (*)	DIPA 21
85/87 and 90	EEx d IIB T(*)	T = + 85 °C	Ex d IIB T (*)	TA = 80°C
0938 91	EEx d IIB T(*)	T = + 85 °C	Ex d IIB T (*)	TA = 85°C

(*) T6 for Ta ≤ + 40°C - T5 for + 40°C < Ta ≤ + 55°C

Certification :

Cat. Nos.	Approved type	CENELEC	IEC	EC declaration of conformity
0938 80/81				
85/87 and 90	BR1d	02 ATEX 6056	Ex 02.005	50230
0938 91	CF2D	03 ATEX 6061X	Ex 03.006X	50254

- Conforming to standards EN 50281-1-1 and IEC 61281-1-1
"combustible dust"

Protection index :

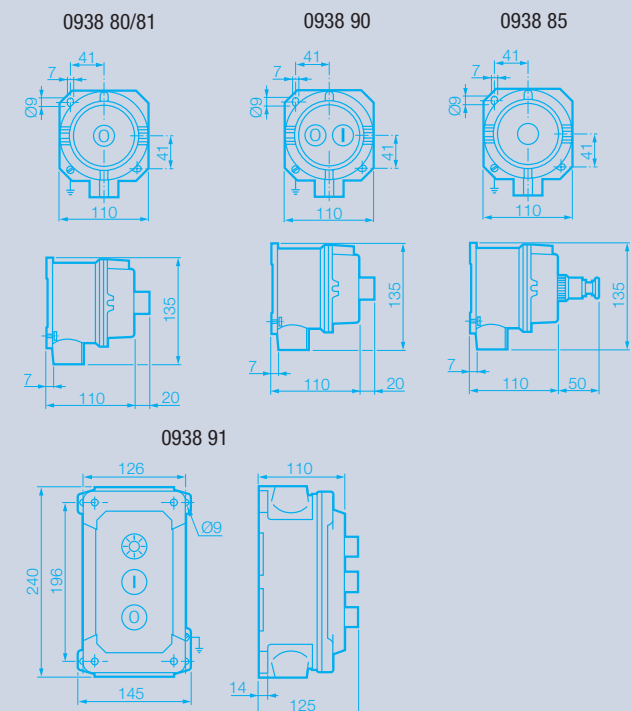
- IP66 according to EN 60529 and IEC 60529
- IK10 mechanical resistance according to EN 50102

Anticorrosion treatment and climate protection : see page G50

Operating temperature :

- 40°C to + 55°C

Dimensions (mm) :



Data sheet available on request